

DESCRIPTION

AMC MODEL SWCH1K-DC40-SK IS A TERMINATED SPST SWITCH WITH A FREQUENCY RANGE OF DC TO 40 GHz.

FEATURES

- HIGH FREQUENCY
- WIDE BANDWIDTH
- FAST RISE TIMES
- MINIATURE SIZE
- LOW POWER

SPECIFICATIONS

- FREQUENCY RANGE DC TO 40 GHz
- INSERTION LOSS 5.5dB TYPICAL, 6.8dB MAXIMUM
- ISOLATION 65 TYPICAL 55dB MINIMUM
- VSWR 2.0:1 TYPICAL 2.2:1 MAXIMUM
- RISE/FALL TIME * 900ps TYPICAL 1ns MAXIMUM
- SWITCHING TIME * 5ns Typ 6ns MAXIMUM
- CONTROL TTL "1"=ON (STANDARD)
- RF POWER 17dBm MAXIMUM
- DC on RF INPUT ±0.5V MAXIMUM
- CONNECTORS
 - RF IN/OUT K Connector 2.92mm
 - CONTROL SMC
 - POWER SOLDER PINS
- DC POWER
 - +V +8V TO +15V @ 15mA MAXIMUM
 - V -8V TO -15V @ 40mA MAXIMUM
- SIZE 1.20" x 1.30" x 0.50"
- OPTIONS
 - BRF50 RISE and FALL TIME 50ns

• NOTE: * SPECIFICATION MODIFIED BY OPTION

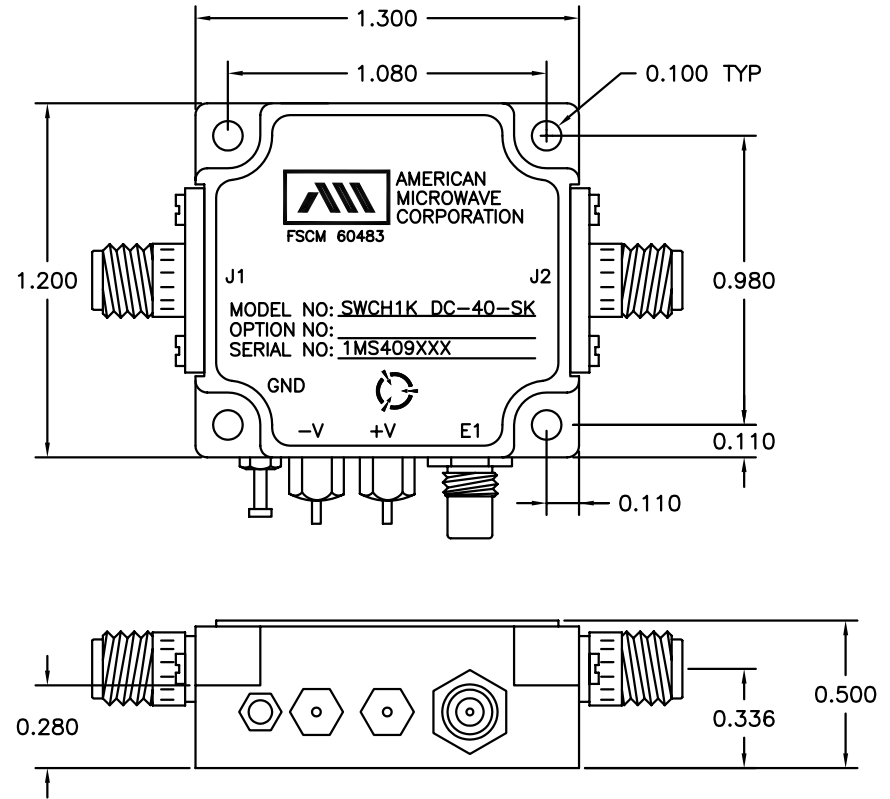
ENVIRONMENTAL RATINGS

- **TEMPERATURE:** -40°C TO +85°C (OPERATING)
 -55°C TO +125°C (STORAGE)
- **HUMIDITY:** MIL-STD-202F, METHOD 103B COND. B
- **SHOCK:** MIL-STD-202F, METHOD 213B COND. B
- **VIBRATION:** MIL-STD-202F, METHOD 204D COND. B
- **ALTITUDE:** MIL-STD-202F, METHOD 105C COND. B
- **TEMPERATURE CYCLE:** MIL-STD-202F, METHOD 107D COND. A

NOTE: SPECIFICATIONS WILL VARY OVER OPERATING TEMPERATURE
 NOTE: THE ABOVE SPECIFICATIONS ARE SUBJECT TO CHANGE OR REVISION

ALL DIMENSIONS ARE IN INCHES
 TOLERANCES:
 X.XX ±0.020
 X.XXX ±0.010

REVISIONS				
ZONE	REV.	DESCRIPTION	DATE	APPROVED
	-	ORIGINAL RELEASE JOB# 409222-1N	11/08/04	JJK



AMERICAN MICROWAVE CORPORATION

7311-G GROVE ROAD
 FREDERICK, MARYLAND 21704 USA
 TEL: 301-662-4700 FAX: 301-662-4938
 WEBSITE: www.americanmicrowavecorp.com
 E-MAIL: sales@americanmicrowavecorp.com
 ISO 9001:2000 CERTIFIED



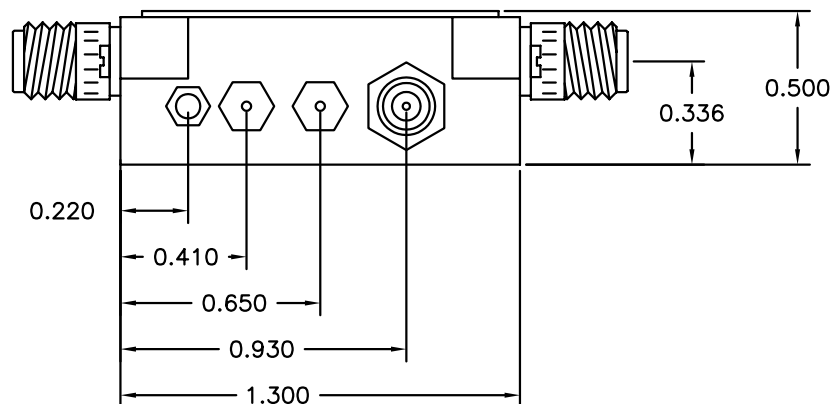
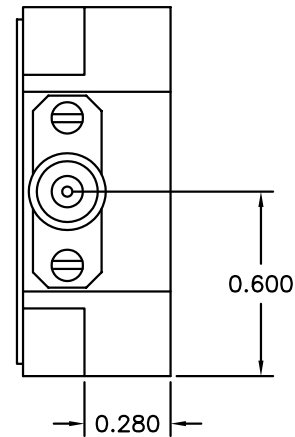
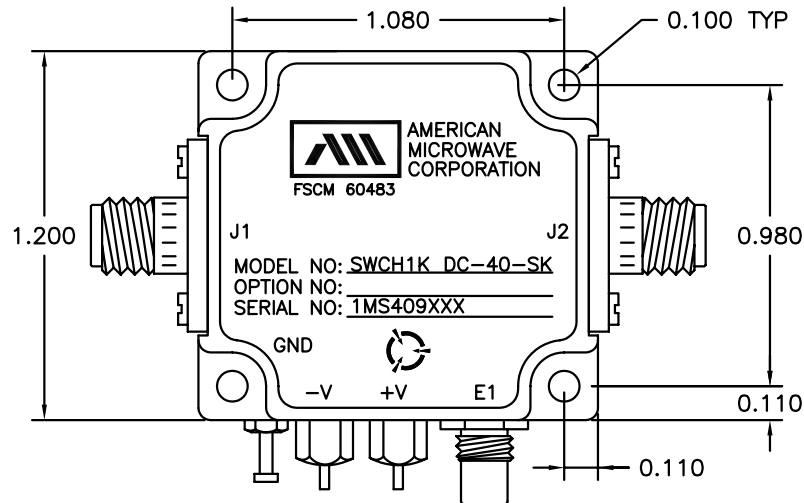
APPROVALS		DATE	TITLE			
DRAWN JJK		05/19/05	PRODUCT FEATURE SWCH1K-DC40-SK			
CHECKED			DC - 40 GHz, NON-REFLECTIVE SPST SWITCH			
ISSUED			SIZE	FSCM NO.	DWG NO.	REV.
			A	60483	100-7160	-
			SCALE	N:S		SHEET
					1 OF 3	

DESCRIPTION

AMC MODEL SWCH1K-DC40-SK IS A TERMINATED SPST SWITCH WITH A FREQUENCY RANGE OF DC TO 40 GHz.

REVISIONS				
ZONE	REV.	DESCRIPTION	DATE	APPROVED
	-	ORIGINAL RELEASE JOB# 409222-1N	11/08/04	JK

MECHANICAL OUTLINE



ALL DIMENSIONS ARE IN INCHES
TOLERANCES:
X.XX ±0.020
X.XXX ±0.010

AMERICAN MICROWAVE CORPORATION
7311-G GROVE ROAD
FREDERICK, MARYLAND 21704 USA
TEL: 301-662-4700 FAX: 301-662-4938
WEBSITE: www.americanmicrowavecorp.com
E-MAIL: sales@americanmicrowavecorp.com
ISO 9001:2000 CERTIFIED



APPROVALS		DATE	TITLE		
DRAWN JK		05/19/05	MECHANICAL OUTLINE		
CHECKED			SWCH1K-DC40-SK		
ISSUED			DC - 40 GHz, NON-REFLECTIVE SPST SWITCH		
SIZE	FSCM NO.	DWG NO.	REV.		
A	60483	100-7160	-		
SCALE N:S			SHEET 2 OF 3		